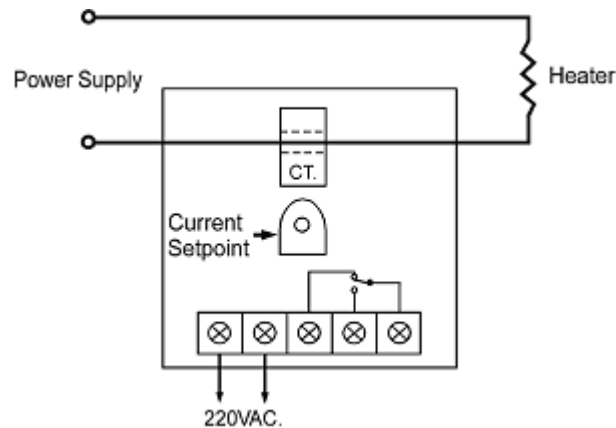


Heater Break Relay HB20



- Current Input (0-5 A, 0-10 A)
- Operating Mode Under or Over



Specifications

Input

Number of channel: 1 Channel

Input type: Current (AC)

Input range: 0 to 5 A, 0 to 10 A

Current Setpoint: 0 to 100 % of input range

Operating Mode: Relay energized when Under Current

Relay Output

Number of channel: 1 Channel

Relay Type: N.O., N.C.(SPDT)

Contact Rating: 5 A @ 250 VAC

Ordering Information:

Example HB20

Package Checklist

1. HB20

Power Requirements

Power Supply: 220 VAC

Environmental Limits

Operating Temperature: 0 to 55 °C

Operating Humidity: 5 to 95% RH

Storage Temperature: 0 to 70 °C

Physical Characteristics

Dimension: W65 x H65 x D32mm.

Warranty

Warranty Period: 1 year